



• ED17567 Series.

DC Brushless Centrifugal fan / Motorized impeller.

Size: Ø 175 x 67 mm

Ø 6.9 x 2.6 inches

Airflow: Max. 395 CFM / 11.2 m³/min

Aluminum die cast motor frame / Plastic Backward Curved Impeller.

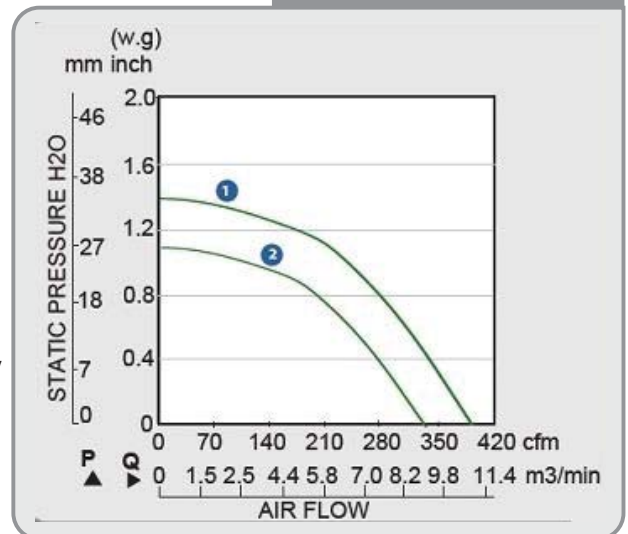
Model No.	Rated Voltage	Voltage Range	Input Power	Rated Current	Ref Speed	Max. Airflow		Max. Static Pressure		Noise Level	PQ Curves
	VDC	VDC	Watt	Amp	RPM	CFM	m ³ /min	Inch/H ₂ O	mm/H ₂ O	dB (A)	
ED17567-12HH**	12	8~14	50.4	4.2	3000	338	9.6	1.08	27.43	64	2
ED17567-24SH**	24	15~27.6	63.6	2.65	3500	395	11.2	1.4	35.56	69	1
ED17567-24HH**	24	15~27.6	50.4	2.1	3000	338	9.6	1.08	27.43	64	2
ED17567-48SH**	48	22~53	62.4	1.3	3500	395	11.2	1.4	35.56	69	1
ED17567-48HH**	48	22~53	52.8	1.1	3000	338	9.6	1.08	27.43	64	2

** = "BL" for Ball bearing wire lead type,

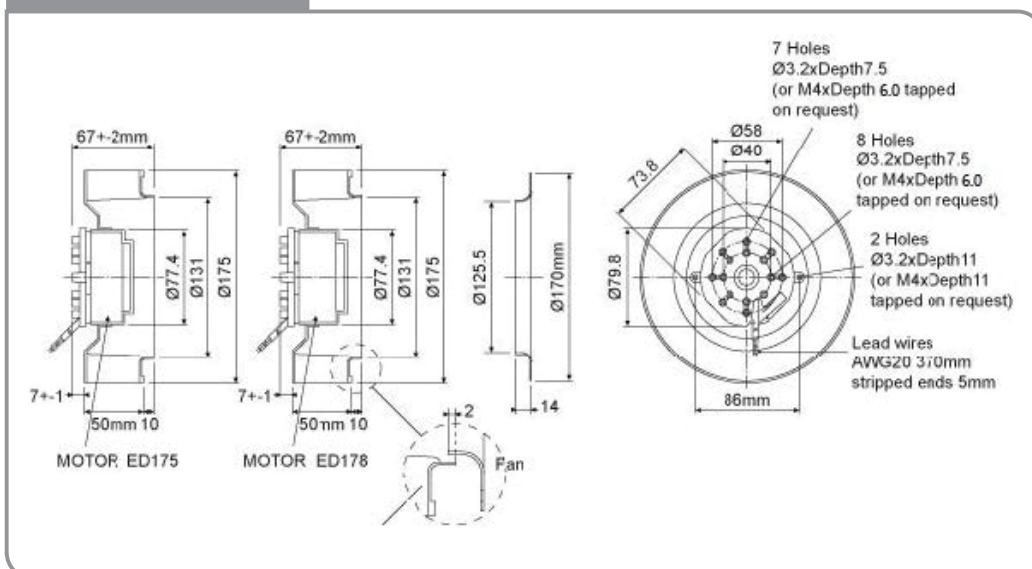
We Reserve the right to change data and improve electrical & mechanical design without notice, data tolerance +/- 10%

Motor Type:	Microprocessor brushless DC Motor, auto cutoff, auto restart
Burnout Protection:	Electronically protected, polarity protected
IP Protection:	-
Mechanical	
Frame:	Aluminum die casting motor fram
Impeller:	PA66 Nylon
Bearing:	Two ball bearings
Rotation:	CW seen on rotor
Connection:	Wire leads
Weight:	1650 g (3.63 Lbs)
Electronical	
Dielectric Strength:	500 VAC/min. Max leakage 500mA
Speed Control:	Optional:PWM, S/C NTC thermister,0~10V control voltage S/V
Signal Output:	Optional:R/D alarm output, tachometer output F/G
Environment	
Operating Temp:	-20°C~+65°C
Storage Temp:	-25°C~+75°C (at 65%RH)
Life Expectancy:	L10 90K hours at 35°C

► Performance P-Q Curves.



► Outline Dimensions.



Fan Accessories

